

Image Cover Sheet

CLASSIFICATION

SYSTEM NUMBER

508115

UNCLASSIFIED



TITLE

WEB APPLICATIONS IN CANADA'S DND

System Number:

Patron Number:

Requester:

Notes: Paper #19 contained in Parent Sysnum #508096

DSIS Use only:

Deliver to: DK



2.19 WEB APPLICATIONS IN CANADA'S DND - MAJ R HARVEY



**SOME
WEB APPLICATIONS
IN CANADA'S
DND**

**PRESENTED BY
MAJ. R. HARVEY AND G.R. NOURRY**

21 SEPTEMBER 1995



BRIEFING OUTLINE

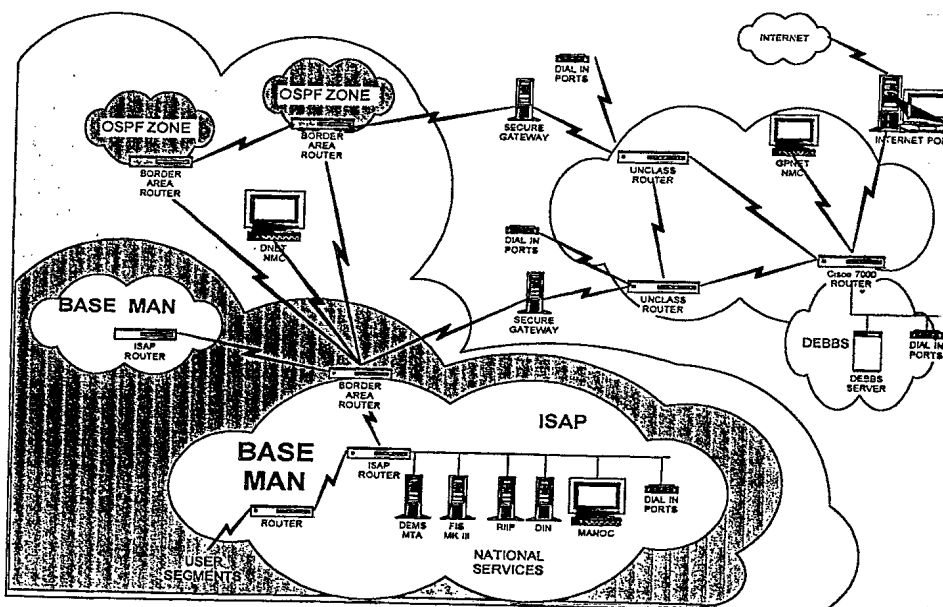
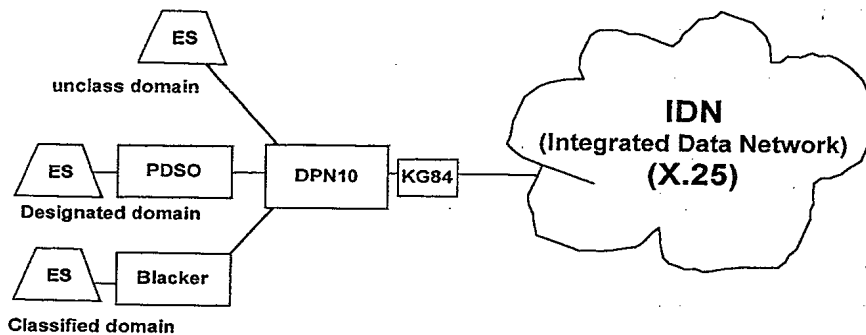
THIS BRIEFING IS LIMITED TO A FEW WEB APPLICATIONS CURRENTLY TAKING PLACE IN CANADA'S DND. THESE WERE SELECTED BECAUSE OF THEIR DIRECT RELEVANCE TO THE ADVANCED INFORMATION SERVICES DEMONSTRATION (AISD) INITIATIVE..

- **DEFENCE ELECTRONIC BULLETING BOARD SYSTEM(DEBBS)**
- **DEFENCE INFORMATION NODE (DIN) PROJECT**
- **RADIO-ON-DEMAND AND ILLUSTRATED AUDIO**
- **DIRECTORY SERVICES**
- **DREO ADMIN TOOLS**





Integrated Data Network





Defence Information Node (DIN) Project

⇒ Private DND Web

- approx 50 nodes (Unix wkstn, raid storage)
- DND wide storage and retrieval for unclas/sensitive information
- accessed via Web clients and document management applications on user desktops (regular Office Automation LAN)

⇒ aim

- reduce cost of handling paper documents (\$750M/yr)
- enhance access to information

⇒ status

- 3 node prototype in place now
- full scale implementation by end 97

⇒ document filing/handling procedures



Defence Electronic Bulletin Board System (DEBBS)

⇒ DND node on Internet WWW

⇒ dial-up access for DND employees

⇒ Aim

- distribution of information to public
- access for DND personnel to WWW

⇒ Status

- in service
- 25 dial-in ports available

⇒ <http://debbs.ndhq.dnd.ca/> ??

Network Services and Interfaces Laboratory



Ottawa, Canada

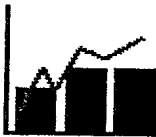
Education



<HTML> Course

The Network Services and Interfaces Laboratory is offering a two-day course in the HyperText Markup Language (HTML) in Ottawa on the 4th and 5th of October 1995. This course will be useful to people who already know about the World Wide Web (WWW) on the Internet and are ready to proceed to the next stage, creating their own documents.

Current Research



Network Services Research

This research attempts to develop an understanding of the services that make for successful electronic network systems by conducting research on the use and users of the services carried on networks. We are working to develop an empirical methodology for evaluating existing and potential new services, and hope to develop of model of success factors for guiding the development of new service concepts.



Natural Language Shells

We have developed natural language information retrieval systems called CHAT and TIPS. Demonstrations of these technologies are available, and the software is available for licence.



Radio on Demand

We collaborated with the Canadian Broadcasting Corporation to provide radio programming over the Internet. A recent report from this research is now available.



Illustrated Audio

Illustrated Audio is a technology that is designed to synchronize image and text displays with a sound track. This allows for computer-based slide shows and for distributing video programs over low-bandwidth networks where full-motion video is not

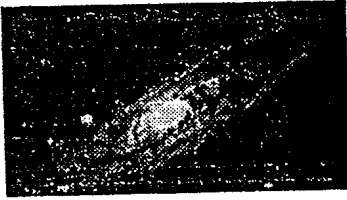
possible.

Collaborations and Expertise Transfer



Electronic Magazine

The Waddington Gallery is an experiment with multimedia distribution and publication over the Internet. It provides an organized and edited collection of pictures, text, and sound files submitted by climbers for appreciation of climbers.



Quirks and Quarks

The Question Show

February 18, 1995

Introduction (1:25, 0.6 MB)

A preview of the questions that were sent in by listeners.

World Wide Spider Web (6:52, 3.3 MB)

An observant listener has a question on spider webs. The Collection Manager in the Entomology Department at the Royal Ontario Museum is brought in to describe the state of the silk thread when it is inside the spider's body and explains how spiders can recycle their webs.

Where Sleeping Cats Lie (6:02, 2.8 MB)

A Veterinarian specializing in animal behaviour in London, Ontario, explains why cats don't seem disorientated when they first wake up. According to her, cats develop different sleeping patterns than humans because of the cat's natural instinct and the fact that they are night hunters.

A Gigantic Family Tree (6:03, 2.9 MB)

To answer a listener's question on why many species have gigantic ancestors, we go to Calgary to talk to a Zoologist at the University of Calgary. He explains how the availability of food and geographic location of the species could be the factor for creating, or not creating, giants.



The CBC Radio Trial

The official CBC Radio WWW site is now operating. It contains most of the information previously found here, and some new and interesting information, including a new catalogue of CBC Radio products.

This is an experiment in distributing CBC Radio programs on the Internet. The experiment is being conducted by the Canadian Broadcasting Corporation and the Network Services and Interfaces Laboratory of the Communications Research Centre (CRC).

The entire CBC collection on this server is now mirrored by the Internet Multicasting Service in Washington, DC. You may want to access that site if this link is slow.

Currently, this section contains:

Regular Radio Programs

- Daily News Broadcasts - International and Domestic
- Quirks & Quarks - CBC Radio's acclaimed science program

Text Material and Other Information

- more information about this trial

Illustrated Audio - Technology for synchronized sound and image presentations

Note: the sound files are stored in 'au' format. If your system cannot play that format, you should transfer the files and then look in the Tools Area for conversion utilities.

Note: the sound files can be rather large. Each minute of sound takes about .5 MB of storage, so a 10-minute story will be about 5 MB long. Keep this in mind when transferring and storing the files.

Your feedback about this trial would be appreciated. Please send your comments and suggestions to:
cbc@debra.dgbt.doc.ca



CRAD/DREO ADMIN TOOLS

- **WEB TECHNOLOGY TO PROVIDE A READILY ACCESSIBLE REPOSITORY OF ADMINISTRATIVE REFERENCES**
 - AS AN ADJUNCT TO DREO'S BUSINESSPLAN
 - WEB TECHNOLOGY PROVIDES GLOBAL REACH AND USER PLATFORM INDEPENDENCE
- **WEB APPLICATIONS TO SUPPORT PROGRAM REVIEWS**
 - EACH AUTHORIZED USER EDIT REPORT(S) THEY ARE RESPONSIBLE FOR. ALL CAN VIEW.
 - AUTHORIZED USERS EDIT, VIEW AND SEARCH REPORTS STORED AS A SINGLE DATABASE FILE. REMOTELY ADMINISTERED VIA A WWW BROWSER.



DIRECTORY SERVICES

- **X.500 IS WEAK WITH REGARDS TO DUAs**
 - GOPHER 500 GATEWAY
 - WEB500GATEWAY
 - SOLO (INRIA)
- **MORE INFO**
 - [HTTP://SUINPC.DISEM.DND.CA/X500/X500.HTML](http://SUINPC.DISEM.DND.CA/X500/X500.HTML)

